

1

2

3

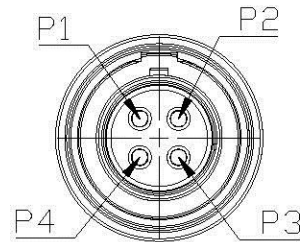
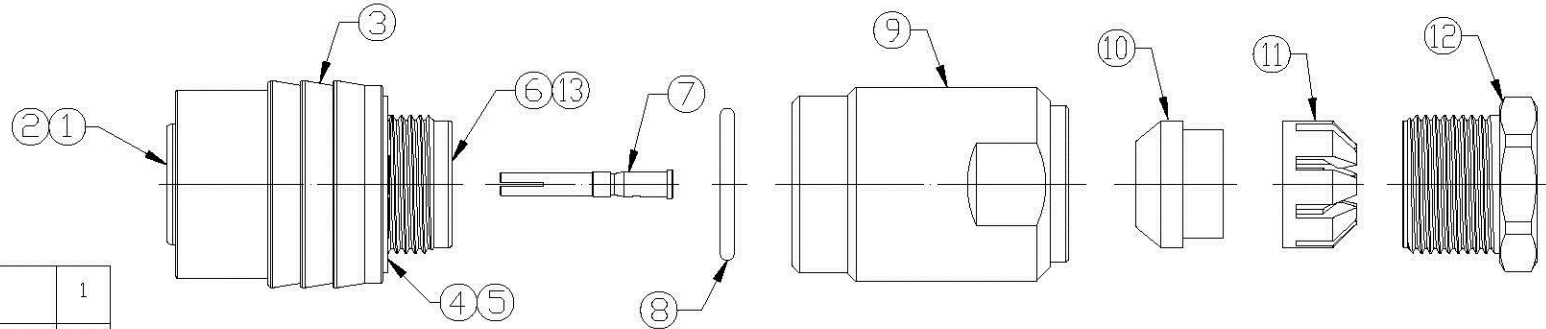
4

Notes: (Unless Otherwise Specified)

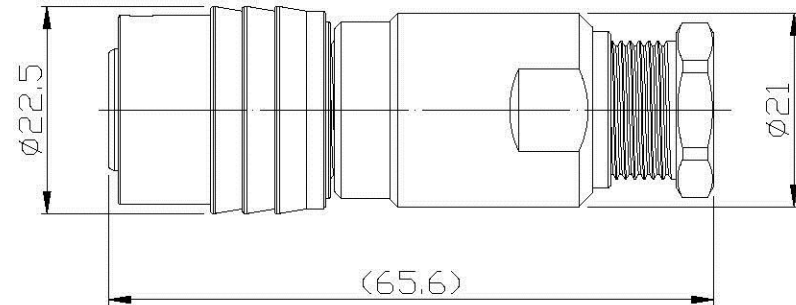
1. Waterproof Rate : IP68
2. Cable Diameter: 7.0 to 8.0 mm
3. Recommend Cover Torque: 15~16 Kgf-cm
4. Recommend Gland Nut Torque: 19~20 Kgf-cm
5. RoHS Compliant



REV	ECN#	DESCRIPTION OF REVISION	DRAW BY DATE	CHECK BY DATE	APPROVE BY DATE
01			Hank 02/22/13	Ray 02/22/13	Ray 02/22/13
02	ECN-130312	Modify Color	Hank 03/18/13	Ray 03/18/13	Ray 03/18/13



Pin Assignment



13	C-Ring	SUS304 Finish: -	1
12	Metal Gland Nut	SUS303 Finish: -	1
11	Cage	Thermoplastic Color: White	1
10	Gland	Silicone Color: Red	1
9	Metal Cover	SUS303 Finish: -	1
8	O-Ring	Silicone Color: Gray	1
7	Contacts	Copper Alloy Finish: Au Plated	4
6	Base	Thermoplastic Color: Black	1
5	Metal Holder	SUS303 Finish: -	1
4	Spring	SUS304 Finish: -	1
3	Metal Push Nut	SUS303 Finish: -	1
2	Housing	Thermoplastic Color: Black	1
1	Metal Body	SUS303 Finish: -	1
Item	Part Name	Material / Finish	Qty

TITLE	DRAWING NUMBER	REV.
M16 Metal 10A 4P SUS303 Field Installable Cable End Female Crimp Push Lock	GT261210-14043	02

THIRD ANGLE PROJECTION	SIZE	SCALE	DRAW / DATE	CHECK / DATE	APPROVE / DATE	TOLERANCES	UNIT	SHEET
	B	1:1	Hank 02/22/13	Ray 02/22/13	Ray 02/22/13	X.X ± 0.5 X.XX ± 0.2	mm	1/1
						X.XXX ± 0.05 ANGLES ± 1°		

www.allconnectors.de  
Tel.: 0049 711 7029503  
70701 Filberstadt - Germany

info@allconnectors.de  
Fax: 0049 711 7029504  
kettnerstr. 25

THE INFORMATION CONTAINED HEREIN IS THE PROPRIETARY PROPERTY OF GT CONTACT CO., LTD. THE POSSESSOR AGREES TO THE FOLLOWING:  
(1) TO MAINTAIN THIS DOCUMENT IN CONFIDENCE  
(2) NOT TO REPRODUCE OR COPY IT  
(3) NOT TO REVEAL OR PUBLISH IT IN WHOLE OR PART  
(4) ALL RIGHTS RESERVED

1

2

3

4